

CN51 Series Options

What options do you get on the CN51?

1. Keyboard



CN51 Numeric Camera EA30

CN51 QWERTY Camera EA30

WEH6.5 WWAN+WLAN

CN51A**N1**KCF**1W1**000

CN51A**Q1**KCF**1W1**000 (NA, LATAM, & ANZ)

WEH6.5 WWAN+WLAN

CN51A**N1**KC**U2W1**000

CN51A**Q1**KC**U2W1**000 (Worldwide except NA, LATAM, ANZ, & China)

WEH6.5 WLAN Only

CN51A**N1**KC**00W0**000

CN51A**Q1**KC**00W0**000 (Worldwide except China)



CN51 Numeric Camera EA30

CN51 QWERTY Camera EA30

Android 4.1 WWAN+WLAN

CN51A**N1**KCF**1A1**000

CN51A**Q1**KCF**1A1**000 (NA, LATAM, & ANZ)

Android 4.1 WWAN+WLAN

CN51A**N1**KC**U2A1**000

CN51A**Q1**KC**U2A1**000 (Worldwide except NA, LATAM, ANZ, & China)

Android 4.1 WLAN Only*

CN51A**N1**KC**00A1**000

CN51A**Q1**KC**00A1**000 (Worldwide except China)

CN51 units include a 3920mAh battery (Part# 318-052-001)

* Android WLAN Only configurations are planned for Q2 2014.

2. Scan Engine

EA31
CN51Axx**S**xxxxxxx

EA30
CN51Axx**K**xxxxxxx

Engine Type

Area Imager

Engine Type

Area Imager

Aiming Pattern



Aiming Pattern



Typical Scanning Distance*

Min: 6 cm (2.4 in)
Max: 41 cm (xx in)

Typical Scanning Distance*

Min: 6 cm (2.4 in)
Max: 33 cm (13 in)

Strengths:

- Omni-directional 1D and 2D scanning
- Combines the flexibility of 2D and standard range scanning
- Superior motion tolerance

Strengths:

- Omni-directional 1D and 2D scanning
- Combines the flexibility of 2D and standard range scanning
- Superior motion tolerance

*Scanning EAN/UPC 1D barcode of 0.33mm (13 mils) density.

3. Pistol Grip



Part# 805-679-001 - Scan Handle, CN51

CN51 Series Options

4. 5MP Camera



5MP Camera
CN51Axxx**C**xxxxxxx

No Camera
CN51Axxx**N**xxxxxxx

5. Intermec Client Pack (ICP) – WEH 6.5.3 OS Only

ICP contains:

- Intermec Terminal Emulator (ITE)
- Intermec Browser



Intermec Client Pack (ICP) includes both a data-collection terminal emulator (Intermec Terminal Emulator) and a data-collection and lockdown browser (Intermec Browser). These are designed for Intermec computers, and provide common clients across multiple device architectures. One ICP license allows you to run both the terminal emulator and browser or either of these on one device.

Part Number	Description
454-023-001	License, Intermec Client Pack (Includes 1 Year Software Maintenance)
Additional Software Maintenance	
ICP-SFT1	One-year maintenance subscription for Intermec Client Pack
ICP-SFT3	Three-year maintenance subscription for Intermec Client Pack

2. Scan Engine

Intermec Medallion® Service



Medallion® COMPLETE

For Best-In-Class Service even under the best operating conditions, accidents happen. And, in a tough environment like a warehouse or Field Service, even your rugged devices take a beating every day. The Medallion® Complete Program offers the highest level of protection for critical data-collection and mobile-computing devices with comprehensive coverage for accidental damage, wear and tear, damaged accessories, product defects, failures and any damage sustained when the device is used as intended in the work environment. Medallion Complete also includes committed repair turnaround times, phone support and access to Intermec’s “Knowledge Central” online database with the latest product and application support information. With Medallion Complete, you can protect your investments and avoid costly operational downtime.

Choose the service level that fits your business needs...




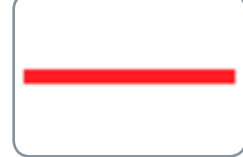
The Silver (two-business days) or the Bronze (five-business days) service options are in-depot services to ensure your critical data-collection devices are repaired and tested quickly and effectively. No other company offers a faster depot turnaround than Intermec’s Silver (two-business day) service option.

Medallion Silver Replacement:

Your Equipment “On Demand” upgrading to the Silver Replacement Service provides overnight replacement of a device. Once received at the depot, the device will be repaired and then returned to your customer owned, and Intermec-managed, inventory in two business days.

Part Number	Description
MEDC2-BRZ-3-C	CptrT2: 3 Year 5 day Depot Complete
MEDC2-SLV-3-C	CptrT2: 3 Year 2 day Depot Complete
MEDC2-SRP-3-C	CptrT2: 3 Year Overnight Replacement Depot Complete
MEDC2-BRZ-5-C	CptrT2: 5 Year 5 day Depot Complete
MEDC2-SLV-5-C	CptrT2: 5 Year 2day Depot Complete
MEDC2-SRP-5-C	CptrT2: 5 Year Overnight Replacement Depot Complete

CN51 Configuration Map

CN51A							Description	Notes
Keypad / Memory	Imager	Camera	WWAN	Operating System	Customization	Reserved		
N1							Numeric Keypad / 1GB RAM	
Q1							QWERTY Keypad / 1GB RAM	
	N						No Imager	
	K						EA30 Imager	 
	S						EA31 Imager	 
		N					No Camera	
		C					5MP Camera	
			00				No WWAN	
			0C				WLAN - 802.11 a/b/g/n No WWAN (China Only)	
			U2				UMTS/HSPA Worldwide except NA, LATAM, Australia/NZ & China WLAN - 802.11 b/g/n	UMTS/HSPA+ UMTS Frequencies: 900,2100 MHz GSM/GPRS/EDGE Frequencies: 900,1800 MHz
			UC				UMTS/HSPA, China only	
			F1				Flexible Network Radio for NA, LATAM, Australia/NZ WLAN - 802.11 b/g/n	Flexible Network (Voice & Data) UMTS/HSPA+ UMTS Frequencies: 800,850,900,1900,2100 MHz GSM/GPRS/EDGE Frequencies: 850,900,1800,1900 MHz CDMA/EV-DO Rev A: Dual Band CDMA2000 Bands: BC0 & BC1 (800/1900 MHz)
				W0			Windows Embedded Handheld 6.5.3 WWE Classic (WLAN Only)	
				W1			Windows Embedded Handheld 6.5.3 WWE Professional	
				W2			Windows Embedded Handheld 6.5.3 LP Classic (WLAN Only)	
				W3			Windows Embedded Handheld 6.5.3 LP Professional	
				A1			Android 4.1 (Jelly Bean)	
					00		Standard Software	
					0		Reserved	

CN51 Vehicle Install

Option 1 – Portable

Simple Vehicle Charging, portable between vehicles.



	Part Number	Description
1	852-070-001	Vehicle Power Adapter

Option 2 – Portable / Sub Contractor Install

Windscreen Suction Cup Mount, portable between vehicles.



	Part Number	Description
1	805-664-001	Vehicle Holder, CN50/ CN51
2	852-070-001	Vehicle Power Adapter
3	RAM-B-166-202U	Suction Cup Mount

CN51 Vehicle Install

Option 3 – Fixed Vehicle Install with Direct Connection to Vehicle Battery

Best used when the vehicle input voltage varies, 12- 24V.



	Part Number	Description
1	805-664-001	Vehicle Holder, CN50/ CN51
2	871-037-001	Vehicle USB Adapter, CN51
3	805-611-001	Mounting Kit, V-Dock RoHS
4	203-802-001	Vehicle Dock Installation Kit

CN51 Vehicle Install

Option 4 – Fixed Vehicle Install with DC/DC Converter

Best used when the vehicle input voltage varies, 6-60V or 15-96V.



	Part Number	Description
1	805-664-001	Vehicle Holder, CN50/ CN51
2	871-037-001	Vehicle USB Adapter, CN51
3	805-611-001	Mounting Kit, V-Dock RoHS
4	203-808-001	DC/DC Converter Kit, 6-60V DC, RoHS
OR	203-809-001	DC/DC Converter Kit, 15-96V DC RoHS

CN51 Vehicle Install

Option 5 – Fixed Vehicle Install with Direct Connection to Vehicle Battery

Best used when the vehicle input voltage varies from 9-32V or external I/O is required.



	Part Number	Description
1	SD50NS	CN50 Vehicle Dock w/ power, USB, and RS-232 (No Speaker) – 3rd Party Product by Handera
OR	SD50	CN50 Vehicle Dock w/ power, USB, and RS-232 (includes Audio Speaker) – 3rd Party Product by Handera
2	203-802-001	Vehicle Dock Installation Kit
3	805-611-001	Mounting Kit, V-Dock RoHS

CN51 Desktop Communications

Option 1 – Portable

Snap-On Charging & USB Communication.



	Part Number	Description
1	851-093-201	Desktop Power / Comm Adapter
2	236-209-001	Cable Assy, USB-A to USB-microB, 1M
3	**	AC Power Cord – See Page XX for Country Specific Power Cords

Option 2 – Fixed

Single Dock Charging & USB Communication (Optional Ethernet).



	Part Number	Description
1	871-033-011	Desktop Single Dock, CN50/CN51, RoHS
2	321-576-004	Cable, USB-A to USB-B, 2meter RoHS
Optional	3	871-238-001 Ethernet Module, Single Dock-FlexDock/CN3/CN5x/CK3
	4	851-061-502 Universal Adapter w/Bead,12V CEC/CCC,ROHS
	5	** AC Power Cord – See Page XX for Country Specific Power Cords
Optional Spare Battery	6	318-052-001 Battery Pack, CN51,3.7V,3920mAh,1015ABx

CN51 Charging and Communications

Quad Dock with Ethernet
Snap-On Charging & USB Communication.

CN50/CN51 FlexDock Charger
Supports: CN50 & CN51.



Part Number	Description
1 DX4A1555500	Quad Dock Ethernet CN50/CN51 No Power Cord (Power Supply Included)
OR DX4A2555500	Quad Dock Charge Only CN50/ CN51 No Power Cord (Power Supply Included)
2 **	AC Power Cord – See Page XX for Country Specific Power Cords

Intermec Medallion® Service

FLEXDOCK-BRZDC3 FlexDock 3 Year Complete 5 Day Return to Depot

CN50 Legacy Charger
Supports: CN50 & CN51.



Part Number	Description
1 871-032-101	Multidock, Ethernet CN50
OR 871-032-002	Multidock, Charge Only CN50
2 851-082-205	Universal Supply R/A 2.5x5.5 FWC5012 CEC/RoHS
3 **	x AC Power Cord – See Page XX for Country Specific Power Cords

Intermec Medallion® Service

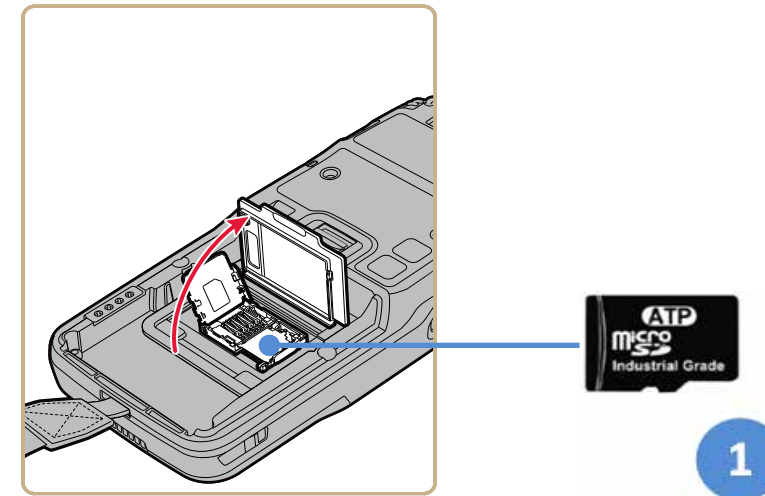
CN50MD-BRZDC3 CN50 Multidock Ethernet, 3 Year Day-1 Complete 5-day Return to Depot
CN50MC-BRZDC3 CN50 Multidock Charge Only, 3 Year Day-1 Complete 5-day Return to Depot

Miscellaneous

AC Cords

Part Number	Description
1-974030-025	AC Power Cord, Australia
071918	AC Power Cord, China
321-501-002	AC Power Cord, Denmark
1-974027-025	AC Power Cord, Europe
321-502-002	AC Power Cord, India & South Africa
321-471-002	AC Power Cord, Italy
321-500-002	AC Power Cord, Japan
321-470-001	AC Power Cord, Switzerland
1-974029-020	AC Power Cord, United Kingdom
1-974028-025	AC Power Cord, United States

Intermec Recommended – ATP Industrial Grade Micro SD Cards



	Part Number	Description
1	856-065-004	MICRO-SD CARD, 1GB, AF1GUDI, ROHS
OR	856-065-005	MICRO-SD CARD, 2GB, AF2GUDI, ROHS
OR	856-065-006	MICRO-SD CARD, 4GB, AF4GUDI, ROHS
OR	856-065-007	MICRO-SD CARD, 8GB, AF8GUDI, RoHS

Why ATP Industrial Grade SD?

ATP's SIP (System-In-Packaging) manufacturing process encapsulates all exposed components and points of failure to ensure the products are fully waterproof, shockproof, and ESD (Electro-Static Discharge) proof. ATP Industrial Grade SD/SDHC Cards can withstand at least an operating/storage temperature range of at least -40 to 85 degrees Celsius. In addition to this temperature range, the cards are completely waterproof, dustproof, and ESD (Electro-Static Discharge) proof. All ATP Industrial Grade SD/SDHC cards are produced under a stringent RoHS and Green Package compliant manufacturing process to guarantee a consistent high level of build quality and performance. ATP Industrial SD cards deliver outstanding performance with read speed (seq) up to 18MB/sec and write speed (seq) up to 16MB/sec. All ATP Industrial Grade CF, SD, USB drives, and SSDs are constructed using best-in-class SLC(Single-Level Cell) components with enhanced Error Correction Code(ECC) functions and wear levelling algorithms. This results in MTBF ratings over 2 million hours and the highest write cycle lifetimes in the industry.



800.YourNumber
www.YourURL.com

