

Leading Media Products

Pick-up & Delivery Fleet Management



Transportation & Logistics

CONTENTS

SHIPPING / TRACK & TRACE

- Duratherm II Paper.....3
- Duratherm III Linerless.....4
- Duratherm II Receipt.....5
- Duratron II Paper.....6
- RFID Duratron II Paper7

CROSS-DOCKING / RECEIVING

- Duratherm II Paper.....8
- Duratherm III Linerless.....9
- Duratherm S Film Label9
- Duratron II Paper10

RACK, SHELF, AND BIN LABELING

- Duratron S Film Label11
- Duratron Pro Film Label11
- INdelible Film Label12

TOTE / RPC LABELS

- Duratherm S Film Label13
- Duratron Pro Film Label13
- INdelible Film Label14
- INtegrated RFID Polyester Film Label14

PICK TICKET / PACKING SLIP

- Duratherm II Paper Receipt15
- Duratherm II 7-mil Paper Tag16
- Duratherm II 5-mil Paper Tag.....16

THERMAL TRANSFER RIBBONS

- ThermaMAX 1000 Wax Ribbons.....17
- ThermaMAX 2000 Mid-Range Ribbons17
- ThermaMAX 3000 Resin Ribbons17

APPENDIX

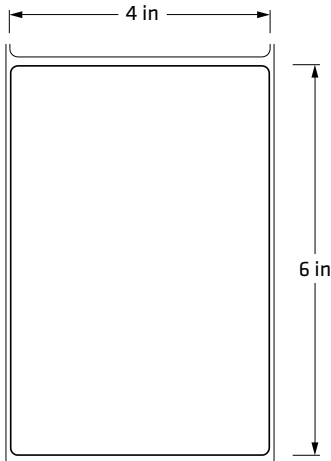
- Direct Thermal vs. Thermal Transfer18
- Free Printhead Replacement Program18
- Application Briefs19



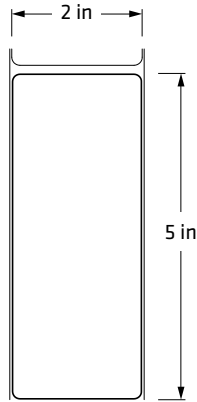
SHIPPING / TRACK & TRACE

Duratherm II Paper

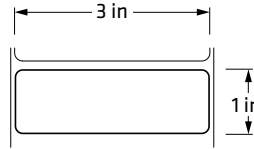
Duratherm II is a non top-coated direct thermal paper that offers high quality, cost-effective printing. This material is recommended for most general-use applications where exposure to chemicals and moisture is not anticipated.



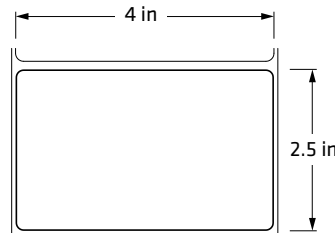
E25726



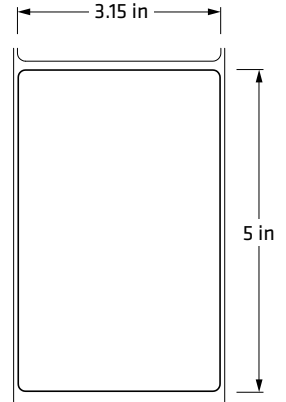
E23470



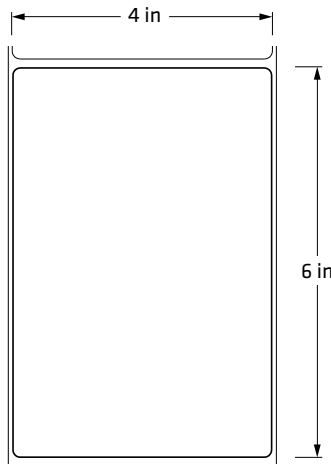
E01383



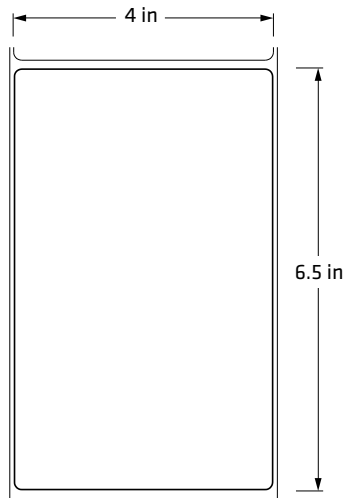
E25735



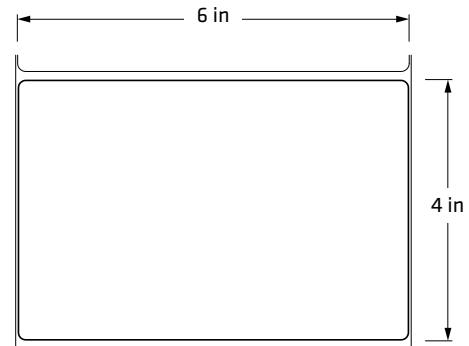
E01384



047164



047165



E12400

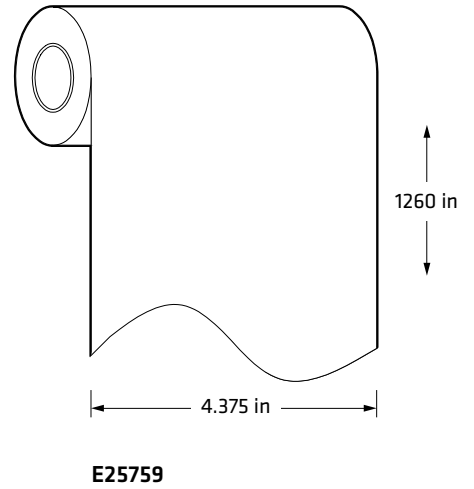
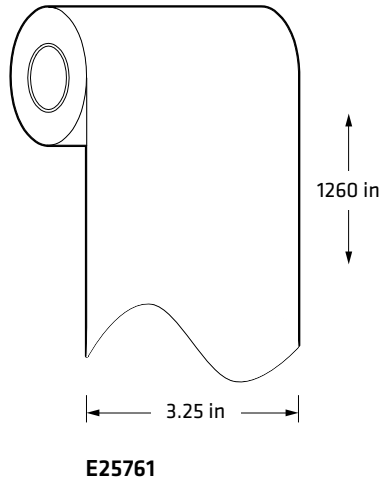
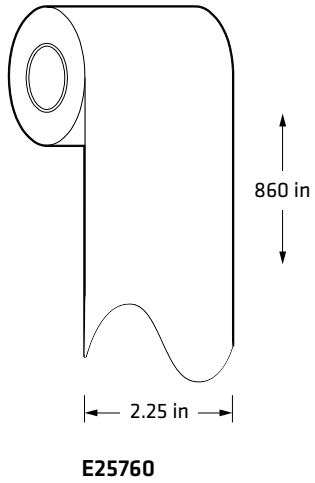
Size	ID	OD	Part Number	Printer Configuration	Qty/Roll	Rolls/Ctn	Ctn Weight	Stock/ MTO	Suggested Retail Price	
									\$/Roll	\$/M
4"x6"	1.5"	5"	E25726	Desktop	439	8	17 lbs	Stock	\$18.08	\$41.19
2"x5"	3"	8.38"	E23470	Industrial	1,170	8	25 lbs	Stock	\$22.08	\$18.87
3"x1"	3"	8.38"	E01383	Industrial	5,333	4	18 lbs	Stock	\$33.13	\$6.21
3.15"x5"	3"	8.38"	E01384	Industrial	1,170	4	19 lbs	Stock	\$26.03	\$22.25
4"x2.5"	3"	8.38"	E25735	Industrial	2,285	4	25 lbs	Stock	\$39.13	\$17.13
4"x6"	3"	8.38"	047164	Industrial	979	4	24 lbs	Stock	\$44.17	\$45.12
4"x6.5"	3"	8.38"	047165	Industrial	905	4	24 lbs	Stock	\$44.17	\$48.81
6"x4"	3"	8.38"	E12400	Industrial	1,454	4	36 lbs	Stock	\$68.27	\$45.57



SHIPPING / TRACK & TRACE

Duratherm III Linerless

Duratherm III Linerless is a self-wound adhesive label that provides excellent print quality and durability without the need for a liner. By removing the liner, the roll capacity increases and there's no need to dispose of the liner.



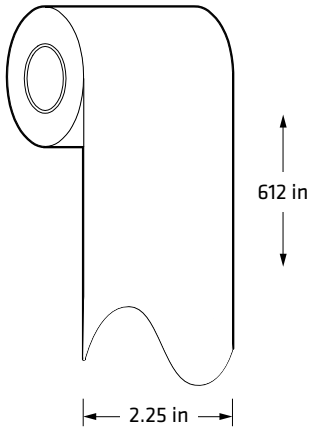
Size	ID	OD	Part Number	Printer Configuration	Rolls/Ctn	Ctn Weight	Stock/MTO	Suggested Retail Price	
								\$/Roll	\$/CTN
2.25"x860"	0.75"	2.25"	E25760	Mobile	50	20 lbs	MTO	\$5.27	\$263.55
3.25"x1260"	0.75"	2.6"	E25761	Mobile	50	24 lbs	MTO	\$11.20	\$560.18
4.375"x1260"	0.75"	2.6"	E25759	Mobile	50	30 lbs	MTO	\$21.74	\$1086.95

Note: Linerless media has a three carton minimum order requirement.

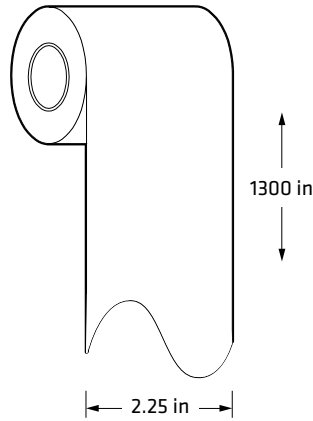
SHIPPING / TRACK & TRACE

Duratherm II Receipt

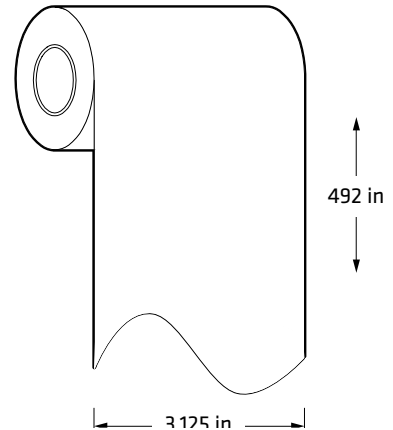
Duratherm II Receipt is an uncoated direct thermal paper that provides excellent print quality, well-suited for use in most general applications.



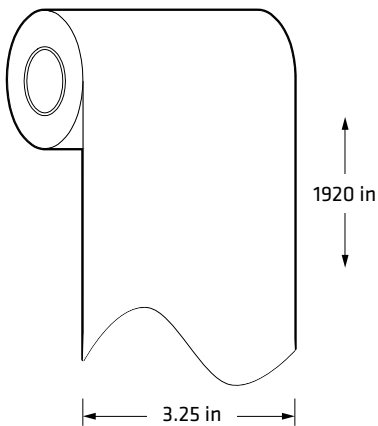
E24788



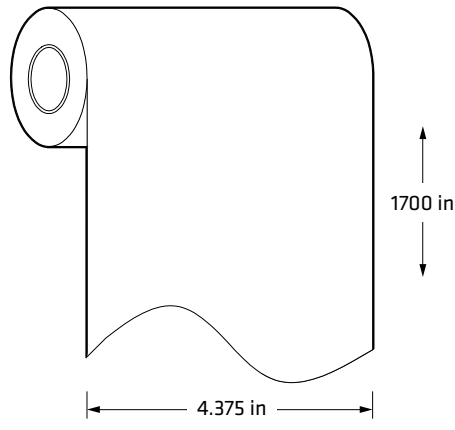
E24619



E24789



E24631



E22977-32

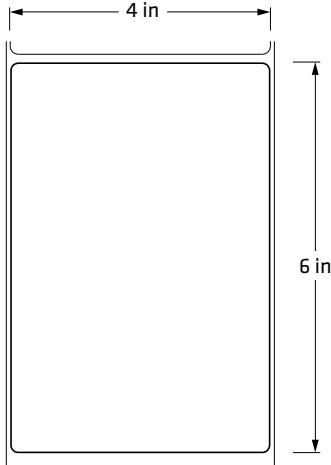
Size	ID	OD	Part Number	Printer Configuration	Rolls/Ctn	Ctn Weight	Stock/MTO	Suggested Retail Price	
								\$/Roll	\$/CTN
2.25"x612"	0.40"	1.3"	E24788	Mobile (PB2)	50	8	Stock	\$0.89	\$44.26
2.25"x1300"	0.75"	2.25"	E24619	Mobile (PB21)	50	16	Stock	\$1.10	\$55.06
3.125"x492"	0.40"	1.6"	E24789	Mobile (PB3)	50	8	Stock	\$1.33	\$66.70
3.25"x1920"	0.75"	2.6"	E24631	Mobile (PB31)	50	16	MTO	\$1.96	\$97.89
4.375"x1700"	0.75"	2.6"	E22977-32	Mobile (PB42/PB51)	32	20	Stock	\$1.94	\$62.08



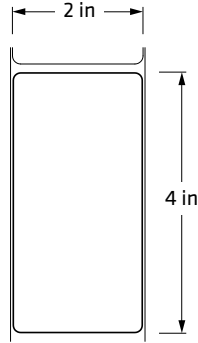
SHIPPING / TRACK & TRACE

Duratron II Paper

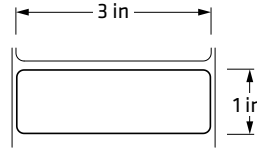
Duratron™ II is a top-coated thermal transfer paper that demonstrates excellent print quality with the TMX1407 ribbons. This product is recommended where moderate abrasion, heat or sunlight are present.



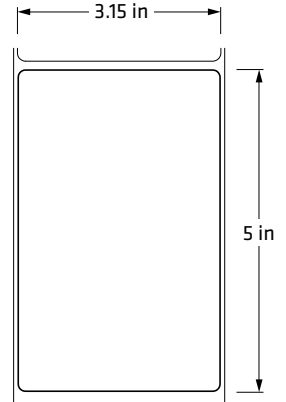
E15527



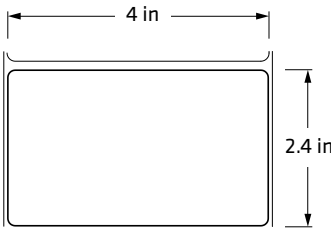
E25879



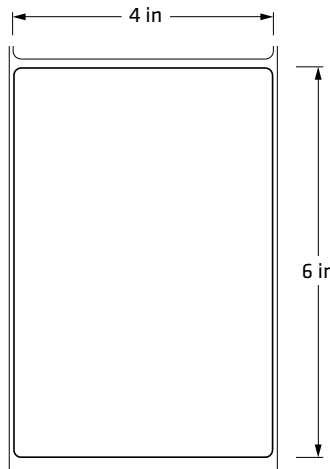
E06172



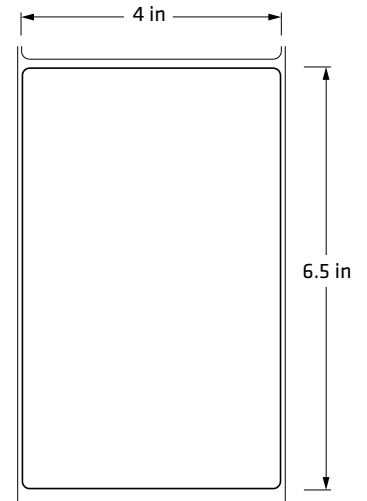
E06173



E06174



E06175



E06176

Size	ID	OD	Part Number	Printer Configuration	Qty/ Roll	Rolls/ Ctn	Ctn Weight	Stock/ MTO	Suggested Retail Price		PC41/ PF8-0.5" Ribbon	PC43t/ PF8t-1" Printer	PD/PM/PX Ribbon
									\$/Roll	\$/M			
4"x6"	1.5"	5"	E15527	Desktop	439	8	21 lbs	Stock	\$15.45	\$35.18	11044304	11234012	n/a
2"x4"	3"	8.38"	E25879	Industrial	1,454	8	22 lbs	Stock	\$17.22	\$11.84	n/a	n/a	11232018
3"x1"	3"	8.38"	E06172	Industrial	5,333	4	20 lbs	Stock	\$12.93	\$4.85	n/a	n/a	11233018
3.15"x5"	3"	8.38"	E06173	Industrial	1,170	4	21 lbs	Stock	\$20.45	\$17.48	n/a	n/a	11234118
4"x2.4"	3"	8.38"	E06174	Industrial	2,400	4	24 lbs	Stock	\$25.98	\$10.82	n/a	n/a	11234118
4"x6"	3"	8.38"	E06175	Industrial	979	4	24 lbs	Stock	\$32.79	\$33.49	n/a	n/a	11234118
4"x6.5"	3"	8.38"	E06176	Industrial	905	4	24 lbs	Stock	\$32.79	\$36.23	n/a	n/a	11234118

Desktop



Industrial



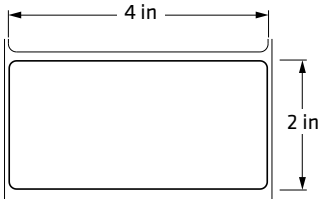
Mobile



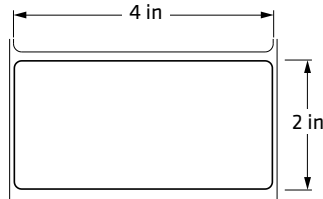
SHIPPING / TRACK & TRACE

INtegrated RFID Polyester Film Label

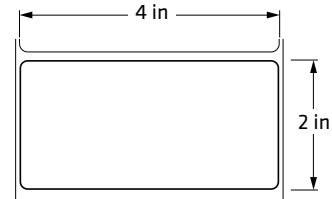
RFID Smart-label products meet the ISO 18000-6C/EPC Global Gen 2 specification with 96 bits of EPC memory allocation. Intermec's Smart Labels are optimized for use in the PM4i, PX4i, and PX6i printer/encoder. (Configurations compatible with other non-Intermec printers are available as custom items.)



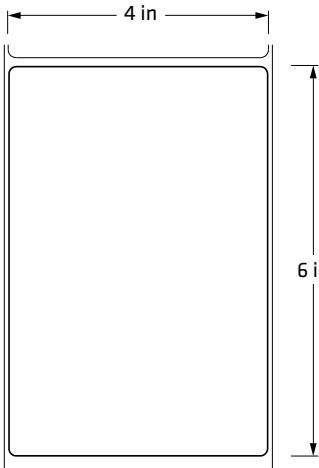
ILR00154



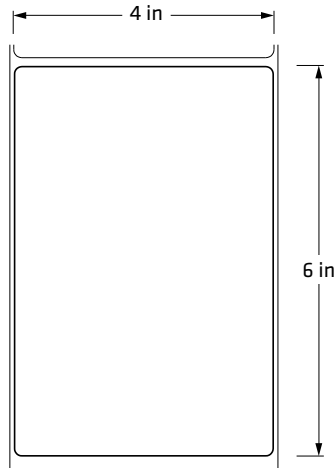
ILR00254



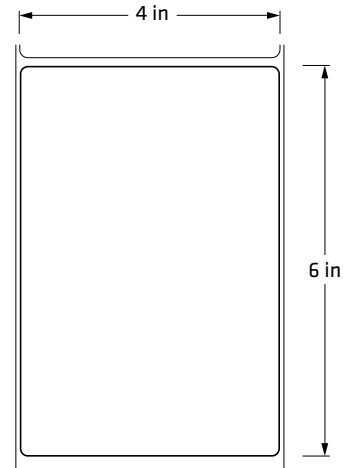
ILR00258



ILR00146



ILR00255



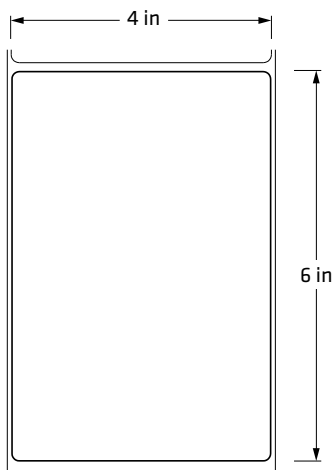
ILR00259

Size	ID	OD	Part Number	Printer Configuration	Qty/Roll	Rolls/Ctn	Ctn Weight	Stock/ MTO	Suggested Retail Price		PM/PX Ribbon
									\$/Roll	\$/M	
4"x2"	3"	8.38"	ILR00154	Industrial PM4i	1,410	2	15 lbs	Stock	\$235.04	\$166.58	11234118
4"x6"	3"	8.38"	ILR00146	Industrial PM4i	490	4	8 lbs	Stock	\$84.51	\$172.83	11234118
4"x2"	3"	8.38"	ILR00254	Industrial PM43	1,411	2	15 lbs	Stock	\$261.75	\$185.51	11234118
4"x6"	3"	8.38"	ILR00255	Industrial PM43	489	2	8 lbs	Stock	\$94.12	\$192.47	11234118
4"x2"	1.5"	4.2"	ILR00258	Desktop PC43	775	4	8 lbs	MTO	\$173.21	\$223.21	11234012
4"x6"	1.5"	4.2"	ILR00259	Desktop PC43	269	4	8 lbs	MTO	\$61.87	\$230.00	11234012

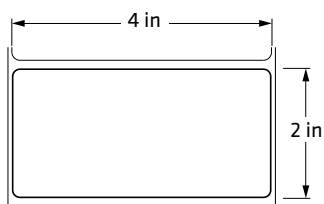
CROSS-DOCKING / RECEIVING

Duratherm II Paper

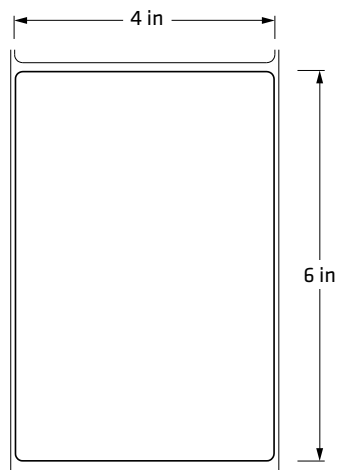
Duratherm II is a non top-coated direct thermal paper that offers high quality, cost-effective printing. This material is recommended for most general-use applications where exposure to chemicals and moisture is not anticipated.



E21016



E14225



047164

Size	ID	OD	Part Number	Printer Configuration	Qty/Roll	Rolls/Ctn	Ctn Weight	Stock/MTO	Suggested Retail Price	
									\$/Roll	\$/M
4"x6"	0.75"	2.6"	E21016	Mobile	117	16	15 lbs	Stock	\$2.06	\$17.61
4"x2"	3"	8.38"	E14225	Industrial	2,823	8	47 lbs	Stock	\$44.18	\$15.65
4"x6"	3"	8.38"	047164	Industrial	979	4	24 lbs	Stock	\$44.17	\$45.12



Desktop



Industrial



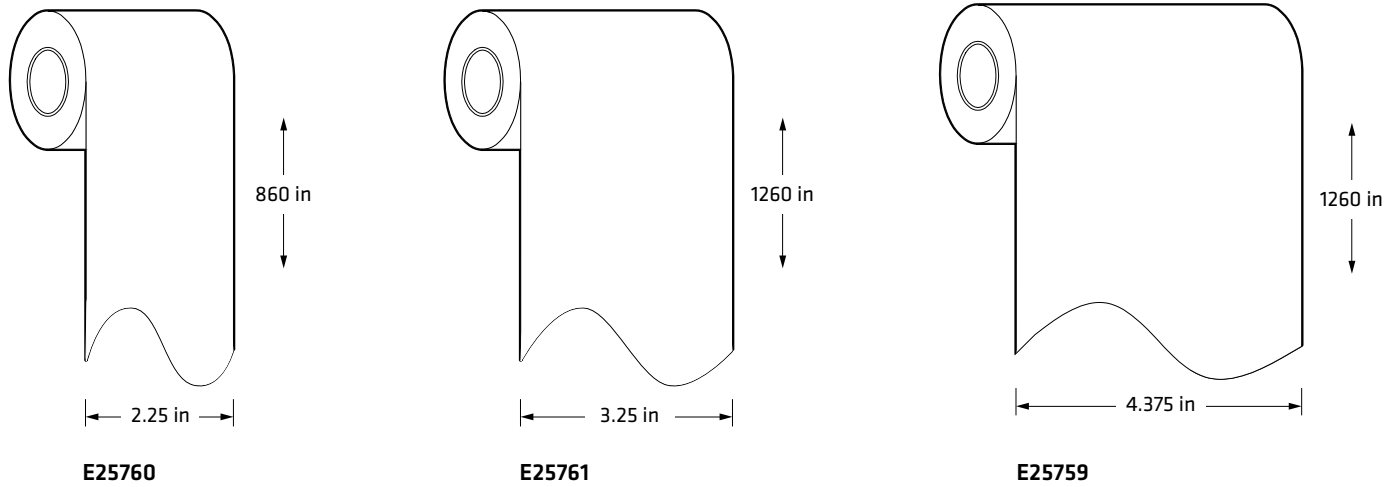
Mobile



CROSS-DOCKING / RECEIVING

Duratherm III Linerless

Duratherm III Linerless is a self-wound adhesive label that provides excellent print quality and durability without the need for a liner. By removing the liner, the roll capacity increases and there's no need to dispose of the liner.



E25760

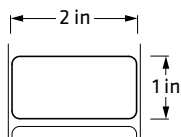
E25761

E25759

Size	ID	OD	Part Number	Printer Configuration	Rolls/Ctn	Ctn Weight	Stock/ MTO	Suggested Retail Price	
								\$/Roll	\$/M
2.25"x860"	0.75"	2.25"	E25760	Mobile	50	20 lbs	MTO	\$5.27	\$263.55
3.25"x1260"	0.75"	2.6"	E25761	Mobile	50	24 lbs	MTO	\$11.20	\$560.18
4.375"x1260"	0.75"	2.6"	E25759	Mobile	30	0 lbs	MTO	\$21.74	\$1086.95

Duratherm III Film Label

Duratherm III Film is a top-coated direct thermal film employing a all-temperature adhesive perfectly suited for ambient and refrigerated environments.



E25764

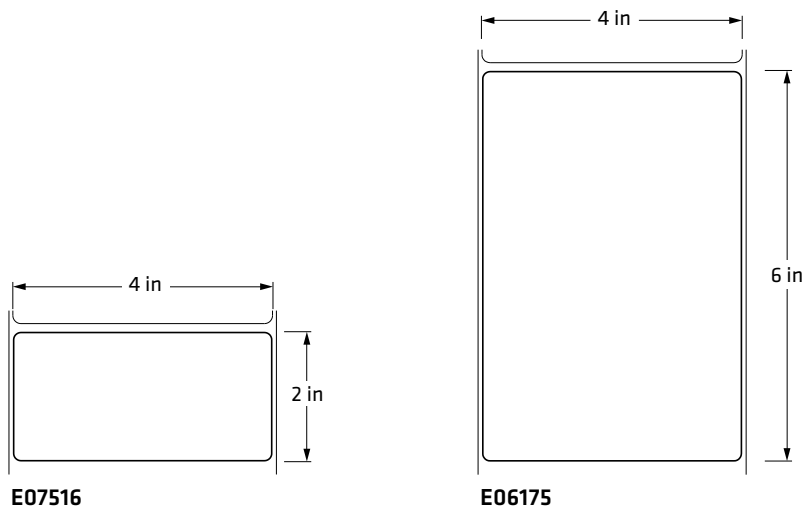
Size	ID	OD	Part Number	Printer Configuration	Qty/Roll	Rolls/Ctn	Ctn Weight	Stock/ MTO	Suggested Retail Price	
									\$/Roll	\$/M
2"x1"	0.75"	2.6"	E25764	Mobile	506	32	17 lbs	Stock	\$3.87	\$7.65



CROSS-DOCKING / RECEIVING

Duratran II Paper

Duratran™ II is a top-coated thermal transfer paper that demonstrates excellent print quality with the TMX1407 ribbons. This product is recommended where moderate abrasion, heat or sunlight are present.



Size	ID	OD	Part Number	Printer Configuration	Qty/Roll	Rolls/Ctn	Ctn Weight	Stock/ MTO	Suggested Retail Price		PD/PM/PX Ribbon
									\$/Roll	\$/M	
4"x2"	3"	8.38"	E07516	Industrial	2,823	4	24 lbs	Stock	\$25.98	\$9.20	11234118
4"x6"	3"	8.38"	E06175	Industrial	979	4	24 lbs	Stock	\$32.79	\$33.49	11234118



Desktop



Industrial



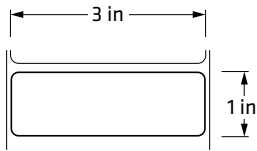
Mobile



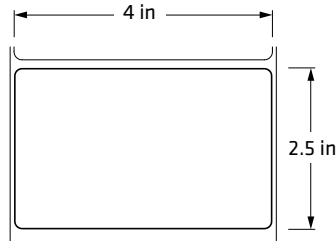
RACK, SHELF, AND BIN LABELING

Duratran S Film Label

A 3 mil thick polypropylene thermal transfer label at an attractive price point. The matte face stock offers excellent print quality and moisture resistance.



E25755

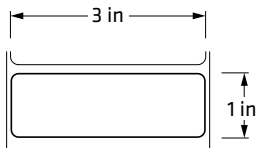


E25757

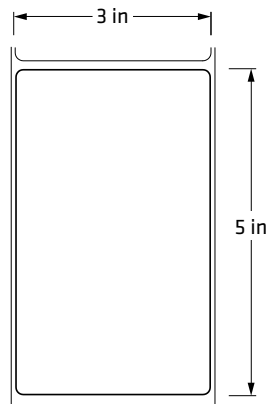
Size	ID	OD	Part Number	Printer Configuration	Qty/Roll	Rolls/Ctn	Ctn Weight	Stock/ MTO	Suggested Retail Price		PC41/ PF8-0.5" Ribbon	PC43t/ PF8t-1" Printer
									\$/Roll	\$/M		
3"x1"	1.5"	5"	E25755	Desktop	1,911	8	17 lbs	Stock	\$30.10	\$15.75	12043204	12233111
4"x2.5"	1.5"	5"	E25757	Desktop	819	8	24 lbs	Stock	\$47.72	\$58.26	12044304	12234012

Duratran Pro Film Label

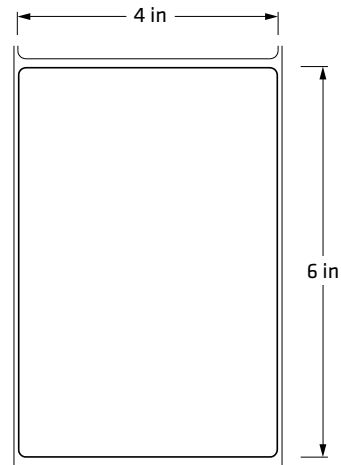
A durable, high-quality polyolefin thermal transfer label. Exhibits good tear resistance and moisture resistance, as well as moderate temperature and chemical resistance.



E02202



E02203



E03444

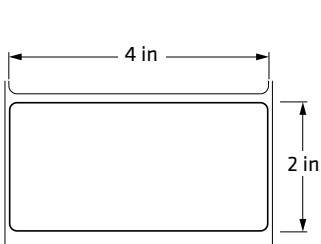
Size	ID	OD	Part Number	Printer Configuration	Qty/Roll	Rolls/Ctn	Ctn Weight	Stock/ MTO	Suggested Retail Price		PD/PM/PX Ribbon
									\$/Roll	\$/M	
3"x1"	3"	8.38"	E02202	Industrial	4,888	8	38 lbs	Stock	\$49.04	\$10.03	12233018
3"x5"	3"	8.38"	E02203	Industrial	1,073	8	38 lbs	Stock	\$49.04	\$45.70	12233018
4"x6"	3"	8.38"	E03444	Industrial	897	4	26 lbs	Stock	\$65.37	\$72.88	12234118



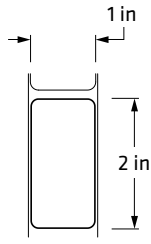
RACK, SHELF, AND BIN LABELING

Indelible Film Label

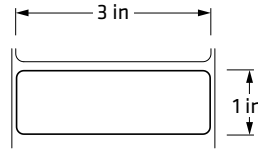
A high-gloss, top-coated polyester label with exceptional print quality. Excellent tear, smear and abrasion resistance; highly moisture and heat resistant. Product is UL recognized when printed with Intermec ThermaMAX 3201 and 3202 ribbons.



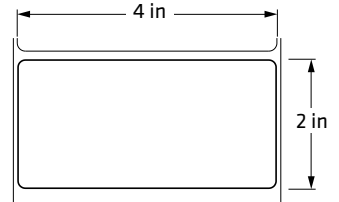
E25727



E23067



E23068



E23222

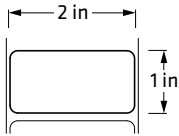
Size	ID	OD	Part Number	Printer Configuration	Qty/Roll	Rolls/Ctn	Ctn Weight	Stock/MTO	Suggested Retail Price		PC43t/ PF8t-1" Printer	PD/PM/PX Ribbon
									\$/Roll	\$/M		
4"x2"	1.5"	5"	E25727	Desktop	1,265	4	24 lbs	Stock	\$33.11	\$26.17	13044304	n/a
1"x2"	3"	8.38"	E23067	Industrial	2,823	4	8 lbs	Stock	\$28.52	\$10.10	n/a	13632018
3"x1"	3"	8.38"	E23068	Industrial	5,333	4	19 lbs	Stock	\$85.57	\$16.05	n/a	13633018
4"x2"	3"	8.38"	E23222	Industrial	5,333	4	19 lbs	Stock	\$85.57	\$16.05	n/a	13633018



TOTE / RPC LABELS

Duratherm S Film Label

Duratherm III Film is a top-coated direct thermal film employing a all-temperature adhesive perfectly suited for ambient and refrigerated environments.

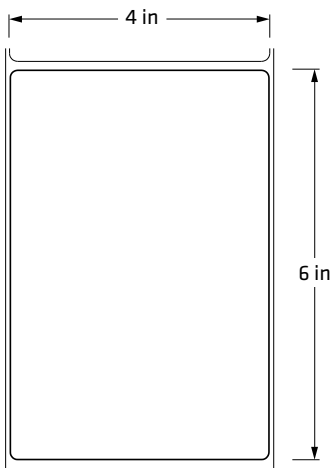


E25764

Size	ID	OD	Part Number	Printer Configuration	Qty/Roll	Rolls/Ctn	Ctn Weight	Stock/MTO	Suggested Retail Price	
									\$/Roll	\$/M
2"x1"	0.75"	2.6"	E25764	Mobile	506	32	17 lbs	Stock	\$3.87	\$7.65

Duratran Pro Film Label

A durable, high-quality polyolefin thermal transfer label. Exhibits good tear resistance and moisture resistance, as well as moderate temperature and chemical resistance.



E09186

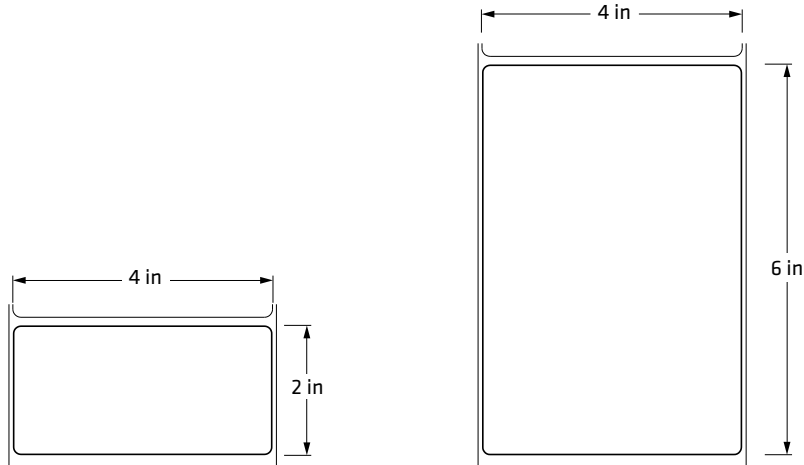
Size	ID	OD	Part Number	Printer Configuration	Qty/Roll	Rolls/Ctn	Ctn Weight	Stock/MTO	Suggested Retail Price		PD/PM/PX Ribbon
									\$/Roll	\$/M	
4"x6"	3"	8.38"	E09186	Industrial	897	8	53 lbs	Stock	\$78.43	\$87.44	12234118



TOTE / RPC LABELS

INdelible Film Label

A high-gloss, top-coated polyester label with exceptional print quality. Excellent tear, smear and abrasion resistance; highly moisture and heat resistant. Product is UL recognized when printed with Intermec ThermaMAX 3201 and 3202 ribbons.



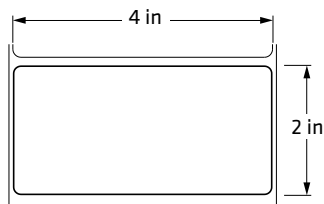
E23222

E25733

Size	ID	OD	Part Number	Printer Configuration	Qty/Roll	Rolls/Ctn	Ctn Weight	Stock/MTO	Suggested Retail Price		PD/PM/PX Ribbon
									\$/Roll	\$/M	
4"x2"	3"	8.38"	E23222	Industrial	3,000	8	51 lbs	Stock	\$114.09	\$38.03	13634118
4"x6"	3"	8.38"	E25733	Industrial	979	8	51 lbs	Stock	\$117.06	\$119.59	13634118

INtegrated RFID Polyester Film Label

RFID Smart-label products meet the ISO 18000-6C/EPC Global Gen 2 specification with 96 bits of EPC memory allocation. Intermec's Smart Labels are optimized for use in the PM4i, PX4i, and PX6i printer/encoder. Configurations compatible with other non-Intermec printers are available as custom items.



ILR00245

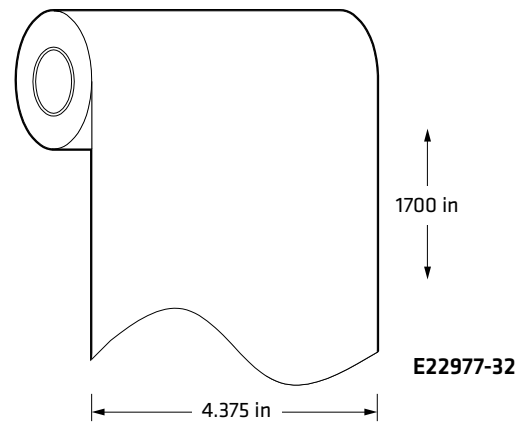
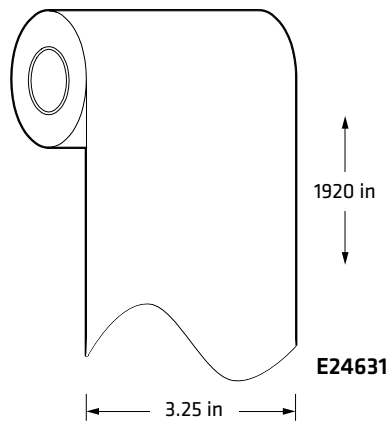
Size	ID	OD	Part Number	Printer Configuration	Rolls/Ctn	Ctn Weight	Stock/MTO	Suggested Retail Price	
								\$/Roll	\$/Ctn
4"x2"	3"	8.38"	ILR00245	PM4i (RFID)	2	12	MTO	\$295.78	\$591.56



PICK TICKET / PACKING SLIP

Duratherm II Paper Receipt

Duratherm II Receipt is an uncoated direct thermal paper that provides excellent print quality, well-suited for use in most general applications.



Size	ID	OD	Part Number	Printer Configuration	Rolls/Ctn	Ctn Weight	Stock/ MTO	Suggested Retail Price	
								\$/Roll	\$/CTN
3.25"x1920"	0.75"	2.6"	E24631	Mobile	50	16 lbs	Stock	\$1.78	\$88.99
4.375"x1700"	0.75"	2.6"	E22977-32	Mobile	32	20 lbs	Stock	\$1.76	\$56.45



Desktop



Industrial



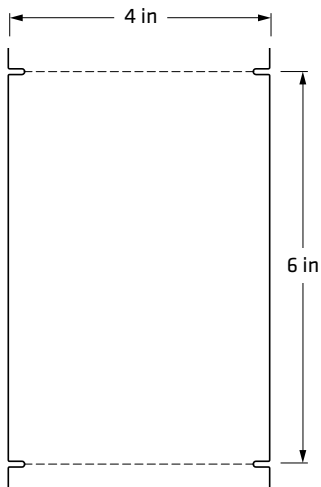
Mobile



PICK TICKET / PACKING SLIP

Duratherm II 7-mil Paper Tag

Duratherm II Tag is a 7-mil non top-coated direct thermal paper that offers high quality, cost-effective printing. This material is recommended for most general-use applications where exposure to chemicals and moisture is not anticipated.

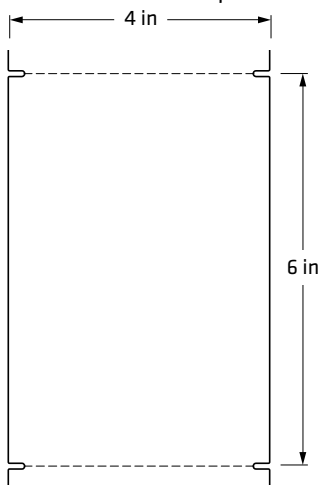


E04633

Size	ID	OD	Part Number	Printer Configuration	Qty/Roll	Rolls/Ctn	Ctn Weight	Stock/MTO	Suggested Retail Price	
									\$/Roll	\$/M
4"x6"	3"	8.38"	E04633	Industrial	1,000	4	24 lbs	Stock	\$38.35	\$38.35

Duratherm II 5-mil Paper Tag

Duratherm II 5-mil Tag is a non top-coated direct thermal paper that offers high quality, cost-effective printing for mobile printing applications. This material is recommended for most general-use applications where exposure to chemicals and moisture is not anticipated.



E24458

Size	ID	OD	Part Number	Printer Configuration	Qty/Roll	Rolls/Ctn	Ctn Weight	Stock/MTO	Suggested Retail Price	
									\$/Roll	\$/M
4"x6"	.75"	2.6"	E24458	Mobile	140	16	12 lbs	Stock	\$4.29	\$30.64



THERMAL TRANSFER RIBBONS

ThermaMAX 1000 Wax Ribbons

A general-purpose, smear-resistant wax ribbon providing good durability when printing on Duratran™ II Papers and Tags.

Size	Length	Part Number	Qty/Ctn	Printer Configuration	Ctn Weight	Stock/ MTO	Suggested Retail Price		Printer
							\$/Roll	\$/Ctn	
2.35"	10800"	11232211	36	Desktop	17 lbs	Stock	\$8.58	\$308.88	PF8-1", PC43t
3.1"	10800"	11233011	24	Desktop	21 lbs	Stock	\$11.32	\$271.68	PF8-1", PC43t
3.27"	3588"	11043304	24	Desktop	11 lbs	Stock	\$5.00	\$120.00	PC41, PF8-1/2", PC43t
4.1"	10800"	11234012	24	Desktop	19 lbs	Stock	\$14.97	\$359.28	PF8-1", PC43t
4.33"	3588"	11044304	12	Desktop	7 lbs	Stock	\$6.62	\$79.44	PC41, PF8-1/2", PC43t
2.05"	18024"	11232018	36	Industrial	22 lbs	Stock	\$12.17	\$438.12	PD, PM, PX4i
3"	18024"	11233018	24	Industrial	30 lbs	Stock	\$18.26	\$438.24	PD, PM, PX
4.09"	18024"	11234118	24	Industrial	27 lbs	Stock	\$24.61	\$590.64	PD, PM, PX

ThermaMAX 2000 Mid-Range Ribbons

A mid-range ribbon that provides enhanced abrasion/smear resistance and high image quality when used with Duratran II coated papers and across the Intermec Mid-Range Film product line.

Size	Length	Part Number	Qty/Ctn	Printer Configuration	Ctn Weight	Stock/ MTO	Suggested Retail Price		Printer
							\$/Roll	\$/Ctn	
2.35"	10800"	12232311	24	Desktop	9 lbs	Stock	\$16.06	\$385.44	PF8-1", PC43t
2.5"	3588"	12042504	36	Desktop	9 lbs	Stock	\$6.70	\$241.20	PC41, PF8-1/2", PC43t
3.15"	10800"	12233111	24	Desktop	10 lbs	MTO	\$21.52	\$516.48	PF8-1", PC43t
3.27"	3588"	12043204	36	Desktop	11 lbs	Stock	\$8.78	\$316.08	PC41, PF8-1/2", PC43t
4.1"	10800"	12234012	24	Desktop	19 lbs	MTO	\$28.00	\$672.00	PF8-1", PC43t
4.33"	3588"	12044304	18	Desktop	7 lbs	Stock	\$11.62	\$209.16	PC41, PF8-1/2", PC43t
2.05"	18024"	12232018	24	Industrial	22 lbs	Stock	\$22.77	\$546.48	PD, PM, PX4i
2.99"	18024"	12233018	24	Industrial	30 lbs	Stock	\$34.16	\$819.84	PD, PM, PX
4.09"	18024"	12234118	12	Industrial	13 lbs	Stock	\$46.68	\$560.16	PD, PM, PX

ThermaMAX 3000 Resin Ribbons

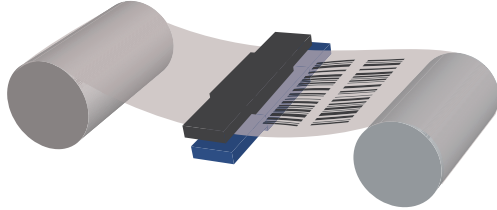
A high quality resin ribbon for applications that require the optimum level of smear and abrasion resistance. Excellent imaging and performance across the Intermec Ultra-Durable Film product line.

Size	Length	Part Number	Qty/Ctn	Printer Configuration	Ctn Weight	Stock/ MTO	Suggested Retail Price		Printer
							\$/Roll	\$/Ctn	
2.36"	10800"	13632111	24	Desktop	12 lbs	Stock	\$19.16	\$459.84	PF8-1", PC43t
2.5"	3588"	13042504	24	Desktop	7 lbs	Stock	\$11.06	\$265.44	PC41, PF8-1/2", PC43t
3.1"	10800"	13633111	24	Desktop	15 lbs	MTO	\$30.93	\$742.32	PF8-1", PC43t
3.1"	3588"	13633136	24	Desktop	7 lbs	MTO	\$13.71	\$329.04	PC41, PF8-1/2", PC43t
4.1"	10800"	13634012	24	Desktop	14 lbs	Stock	\$65.28	\$1,566.72	PF8-1", PC43t
4.33"	3588"	13044304	24	Desktop	7 lbs	Stock	\$19.14	\$459.36	PC41, PF8-1/2", PC43t
2.09"	18036"	13632018	24	Industrial	12 lbs	Stock	\$32.81	\$787.44	PD, PM, PX4i
2.99"	18036"	13633018	24	Industrial	18 lbs	Stock	\$49.22	\$1,181.28	PD, PM, PX
4.09"	18036"	13634118	24	Industrial	24 lbs	Stock	\$68.19	\$1,636.56	PD, PM, PX



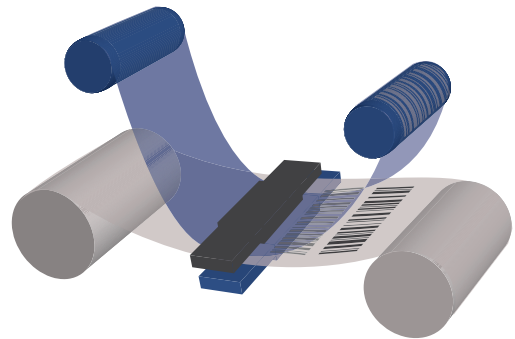
APPENDIX

Direct Thermal vs. Thermal Transfer



Direct Thermal Media Explained

Direct Thermal media uses a transparent heat-sensitive coating applied to its surface to image text and bar codes. When the heat from the print head contacts the coating, it initiates a chemical reaction that turns the coating black.



Thermal Transfer Media Explained

Thermal Transfer media uses a ribbon to image the text and bar codes on a variety of materials, both paper and film. When the ribbon is passed beneath the print head, the heat softens the ribbon ink while in contact with the label or tag, resulting in the transfer of the ink to the surface of the label or tag. There are three general classes of ribbons that are used in thermal printers: Wax, Mid-range, and Resin.

Wax ribbons are the most commonly used class and are mostly targeted to print paper labels and tags that will be exposed to relatively benign environments. Wax ribbons are also used to print on film labels and tags in some applications.

Mid-range ribbons are a hybrid design where resin is mixed with the wax to produce ribbons with durability properties that fall somewhere between the wax and resin ribbons. Mid-range ribbons are used to print on both paper and film labels and tags.

Resin ribbons are the most durable and are mostly targeted to printing on film labels and tags that will be exposed to extreme environments.

Ask about Intermec's

Free Printhead Replacement Program*

- Provides no-cost printhead replacement for all Intermec fixed printers
- Lowers total cost of ownership, speeds up return on investment
- Applies to all Intermec media supplies

*Conditions apply. See www.intermec.com



APPENDIX

Application Briefs

Intermec offers a mix of media products to address the requirements of many specific industry applications. Intermec has developed many Applications Brief documents that detail the media performance and regulatory requirements for specific applications for a variety of industries. Below you will find the seven Application Briefs targeted specifically at the Healthcare market.

Country of Origin Labeling

In 2008, the USDA Country of Origin requirements expanded in scope. By March 31, 2009, food manufacturers and distributors need to clearly identify national origin for many products and provide corresponding recordkeeping documents with each shipment. Mishaps in this process can cost time, money, and even valued customers. Users can now streamline, error-proof, and cost-reduce this process with Intermec's Country of Origin Labeling solution.

http://www.intermec.com/public-files/application-briefs/en/ab_media_COOL_web.pdf



Food Service Distribution

The food service distribution industry has grown over the years to a multi-billion dollar market. The large providers typically ship to grocery chains, hotels, contract food service operations, healthcare facilities, multi-unit restaurant operations, just to name a few. Both at the carton level and pallet level, items need to be identified and tracked through the distribution channel. Activities include order picking, batch picking, replenishment, and transportation.

http://www.intermec.com/public-files/application-briefs/en/ab_media_foodsrv_web.pdf



Integration of RFID Smart Labels for Third Party Logistics

Effective warehouse management involves the control and monitoring of movement of materials including receiving, storage, picking, staging, and shipping. The increased use of outsourcing these activities has given rise to the rapid growth of third party logistics or 3PL. 3PL providers typically specialize in integrating warehousing and operation services that can be scaled and customized to a customer's requirements. The use of 3PL has become a cost effective way for many businesses to reduce supply chain costs and increase customer satisfaction. With any logistics process, opportunities for human error exist resulting in misplaced or mis-directed inventory.

<http://www.intermec.com/public-files/application-briefs/en/ab-RFID-3PL.pdf>



Mobile Labeling for Warehouse and Manufacturing Facility

Bar coding is a critical component in maintaining accuracy and efficiency in a warehouse environment. Shipping, receiving, and cross docking, picking and packing, shelf labeling, and tote labeling applications are integral to successful operations. Increasingly, companies are leveraging mobile labeling solutions in these applications. By enabling workers to print labels at the point of activity, mobile solutions enable a more flexible workflow, increased productivity and fewer errors. Intermec's integrated mobile printer and Duratherm media products deliver a comprehensive array of choices to meet these needs.

http://www.intermec.com/public-files/application-briefs/en/ab_Mobile-Labeling-Whrs-or-Mfg-Facility.pdf





 **Your Logo Here**

Company Name
123 Your Street
City, State Zip
123.456.7890
info@YourURL.com
www.YourURL.com

**Intermec**
PartnerNet

Copyright © 2013 Intermec Technologies Corporation. All rights reserved. Intermec is a registered trademark of Intermec Technologies Corporation. All other trademarks are the property of their respective owners. Printed in the U.S.A. 612170-B 02/13

In a continuing effort to improve our products, Intermec Technologies Corporation reserves the right to change specifications and features without prior notice.